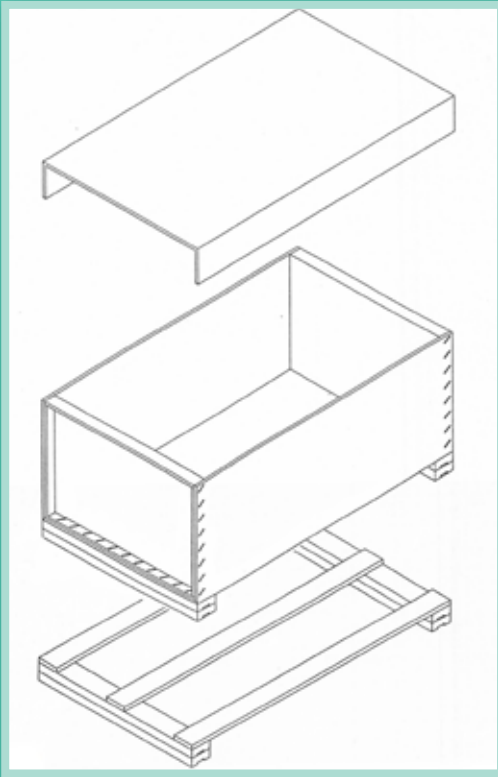
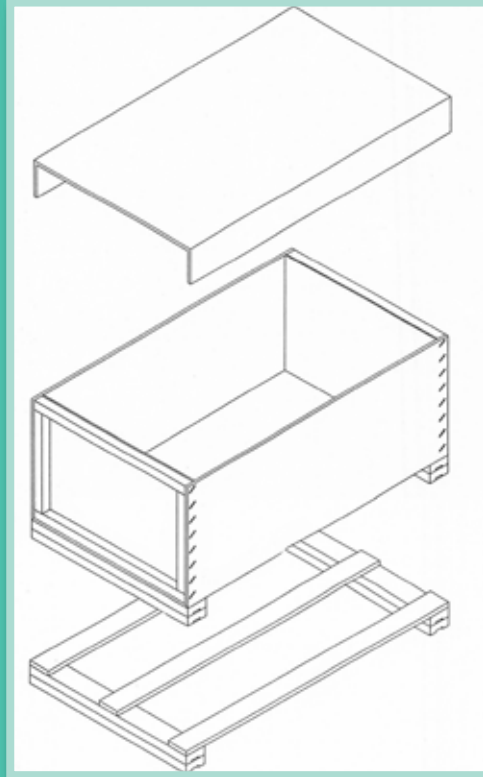


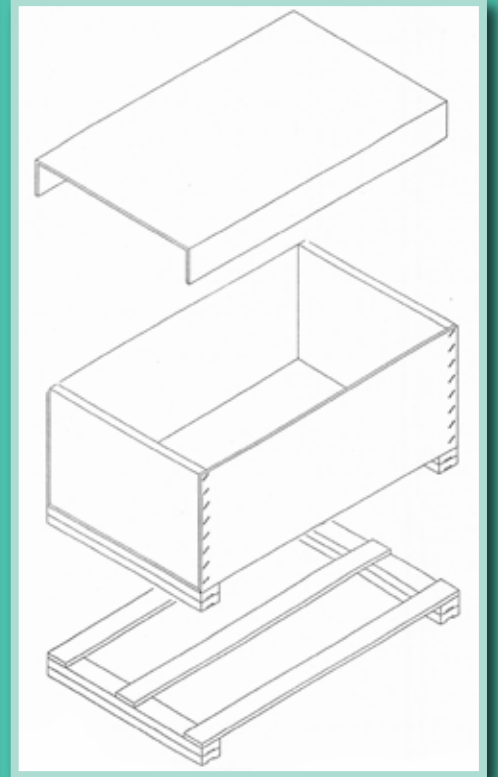
**Commercial Tri Wall Box**  
w/ Skid or Pallet option



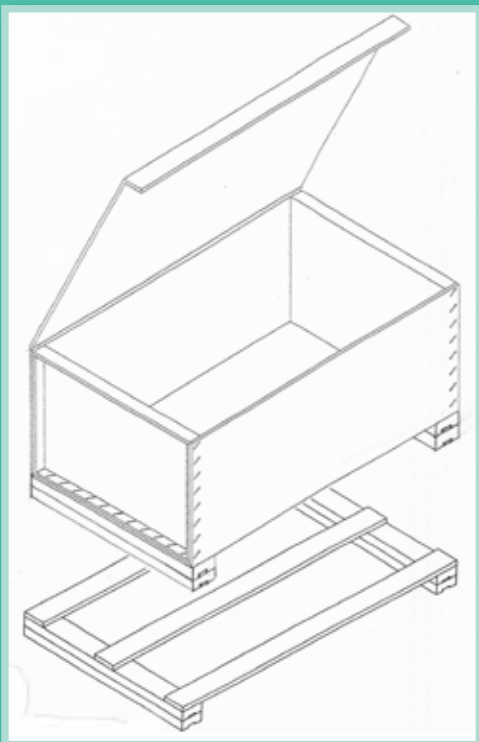
**Cleated Panel Tri Wall Box**  
w/ Skid or Pallet option



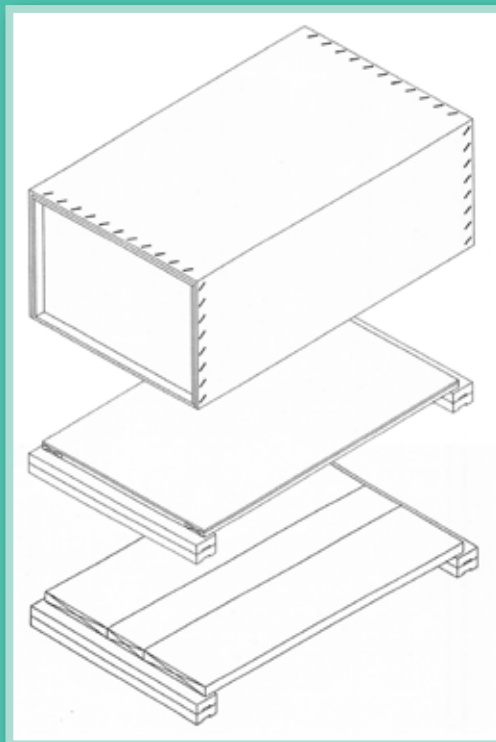
**Plywood End Tri Wall Box**  
w/ Skid or Pallet option



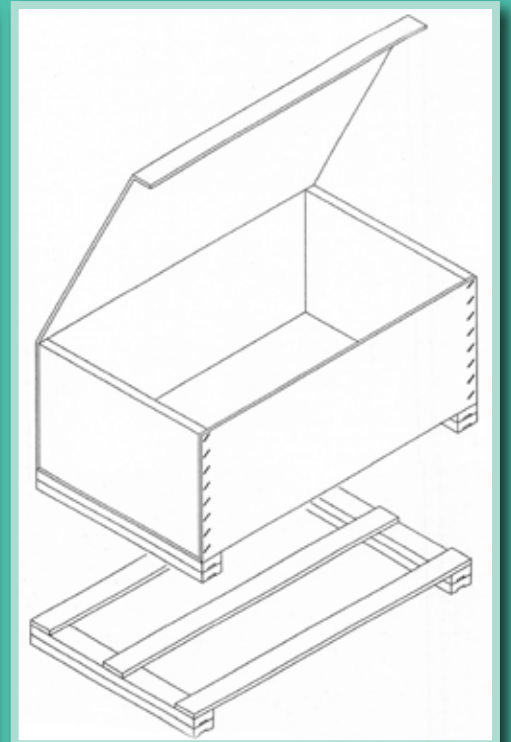
**Wrap Around Tri Wall Box**  
w/ Skid or Pallet option



**Inserted Base Tri Wall Box**  
Heavy Duty or Plywood



**Wrap Around w/ Plywood End**  
w/ Skid or Pallet option



The auto cad renderings included in this document are for illustration purposes only and do not represent any specific Valley Box customer's proprietary designs. This information is intended for display and may contain confidential and/or privileged material. Any review, retransmission, dissemination or other use of this information by persons or entities other than the intended recipient is prohibited.

# TRIPLE WALL

*Lower your freight costs by reducing the weight of your packaging.*

## PACKAGING CHOICES IMPACT THE COST OF FREIGHT

Box ends can be constructed from plywood or tri wall and can be cleated for additional reinforcement



Compare a 48" cube triple wall box weighing in at 84 lbs vs 213 lbs for a plywood box!

**Handles**  
Ergonomical design makes lifting safer



### Optional features

- Skids for pallet jacks or forklifts
- Heavy duty 1.5" wood deck
- Custom foam inserts
- Closing straps and buckles



**Packing Strapping**  
Secures package until arrival at end destination

**Triple Flute Design**  
Creates a vertical strength comparable to plywood

