

Material Handling

Wood & Steel



Fabricated material handling fixtures add mobility & durability, streamlining an entire production line.



Prevent damage during internal and sub-assembly transit.

Added features:
Paint • Powder Coating
Water Sealing • Vinyl Covering
Locking Casters
Galvanized Hardware
Wood and Steel design



www.ValleyBox.com

619.449.2882

10611 Prospect Ave Santee CA

Internal Technology

Blocking & Bracing



- • • • Internal components protect parts from vibration damage during transit. • • • • •



- • • • Handles and locking butterfly twist latch for security. • • • • •



- • • • Trade show box with knock-down sides for lateral removal of rolling pedestal assisting with transport to showroom floor. • • • • •



Interior dividers made of conductive foam for housing delicate parts.



Removable dividers allow for multi-sized parts to be housed in one adjustable container.

Wood Box Styles

Cost Effective & Part Specific



The most cost effective, environmentally safe
 ● ● ● ● and recyclable exterior package.



Inside Out
cleats inside



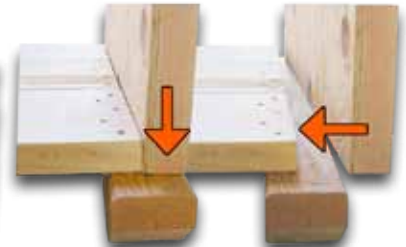
Standard
cleats out



Paper Lined
moisture barrier

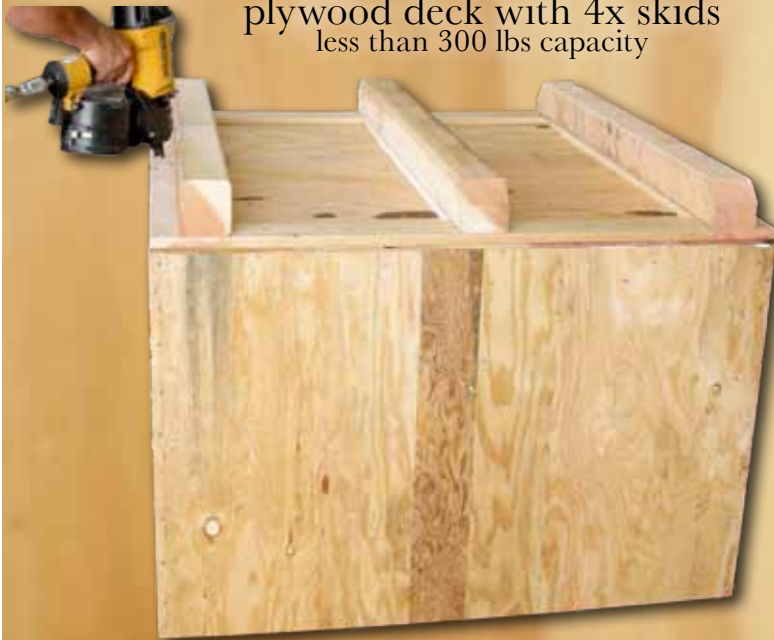


Inserted Deck
sides flush with deck



Style A

plywood deck with 4x skids
less than 300 lbs capacity



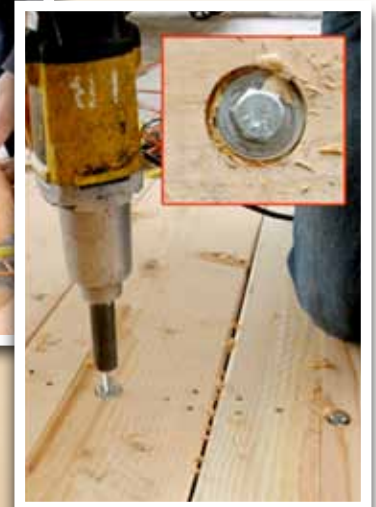
3/8" plywood deck and sides
with 1 x 4 cleats

Heavy Duty

2x deck with 4x skids
more than 300 lbs capacity



squared deck



At four corners
a counter sunk
carriage bolt
secures the
deck to skids...

then counter sunk
lag screws
hold deck to skids

Building
Wooden Boxes
since 1966



www.ValleyBox.com

619.449.2882

10611 Prospect Ave Santee CA

Reusable Containers

Wooden • Poly Molded • Steel Reinforced



- Parts requiring transit between manufacturers for subassembly or highly sensitive instruments can benefit from a reusable solution.



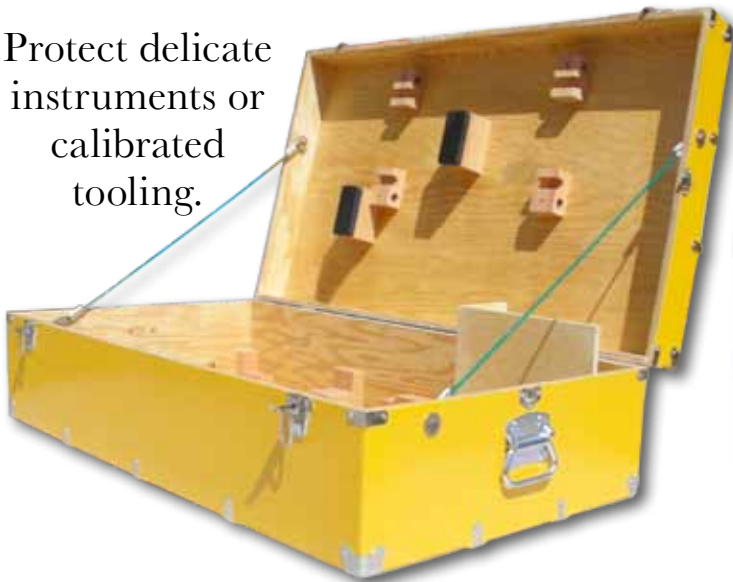
Paint, galvanized hardware and steel reinforced edges pro-long the life of a wood container.

- Custom:
 - Saddles
 - Latches
 - Dividers
- Cut-foam inserts
- Viewing ports
- Truck bed liner



Wood & Formed Cases

Protect delicate instruments or calibrated tooling.



Military Spec • ATA Spec
Burned on Graphics • Handles
Latches • Custom Foam Interiors



Resists: Oils • Fuels • Acids
Solvents • UV rays

Triple Wall

Light weight solution



• Triple-wall corrugated boxes can help lower your freight costs by significantly reducing the weight of your packaging.



Compare a 48" triple-wall box weighing 84 lbs vs 213 lbs for a plywood box!

Added features:

- Skids for pallet jacks or forklifts
- Heavy duty 1.5" wood deck
- Internal foam inserts
- Fixed closing straps and buckles



crush rating 600lbs

Triple flute



www.ValleyBox.com

619.449.2882

10611 Prospect Ave Santee CA

Vapor Barrier Bags

Prevent product corrosion



Part



Gusseted Bag



Evacuate Air



Sealed

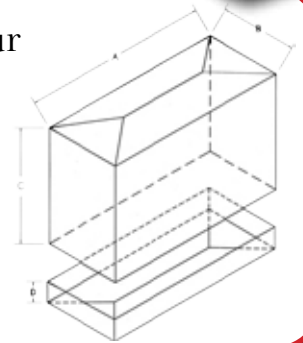


A gusseted vapor barrier bag is a cost effective assurance that your product will arrive ready to use and free of corrosion.

Products sealed in a vapor barrier bag are protected from:

Water • Moisture • Caustic vapors • Dust • Pollutants

Custom vapor barrier bags of any size are available and in a variety of standard materials.



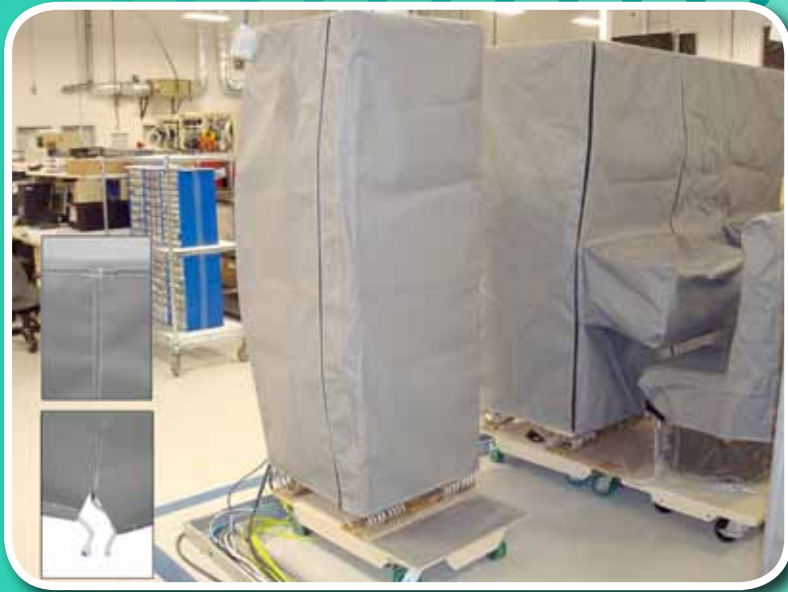
www.ValleyBox.com

619.449.2882

10611 Prospect Ave Santee CA

Protective Covers

Prevent equipment corrosion & runoff



- Weather is a natural enemy of many products. The combination of water and oxygen can rapidly cause the development of corrosion.



Many colors available

18.5 oz UV coated vinyl
Use outdoors, for storage or shipping
Any size • Any quantity
• Glued • Stitched



- Added Features
 - Bungee • Stenciled • Velcro
 - Zippers • Snaps
 - Buckles • Rivets • Cinches
 - Clear observation ports



Protect Equipment & the Planet

Does your Storm Water Pollution Prevention Plan (SWPP) include one of the simplest things you can do?

A cover.



Valley Box Industrial waterproof covers can route runoff away from the pollutant sources.

Field Technicians

Outstanding service



On-site Packaging & Evaluations are offered as a value service to all customers.

Our expert technicians have the knowledge, experience, equipment and materials to package your product properly.



Field technicians are on standby in our fuel saving Smart Car™ to provide immediate response.



On-site pack crews can handle jobs, big and small.

Services

- On-Site Measuring
 - Consultation
 - Packaging Review
- Inventory Surveillance
 - Just In Time (JIT)
 - Streamline & Design
 - Production Logistics Solutions

Our Valley Box team is ready to assist with your packaging needs!

